

## ZONITH RELAY MODULE FOR BTR-01B

Relay module is used as an expansion for BTR and need to be inserted into the ZONITH Bluetooth Receiver, type BTR-01B.

### Relay ratings:

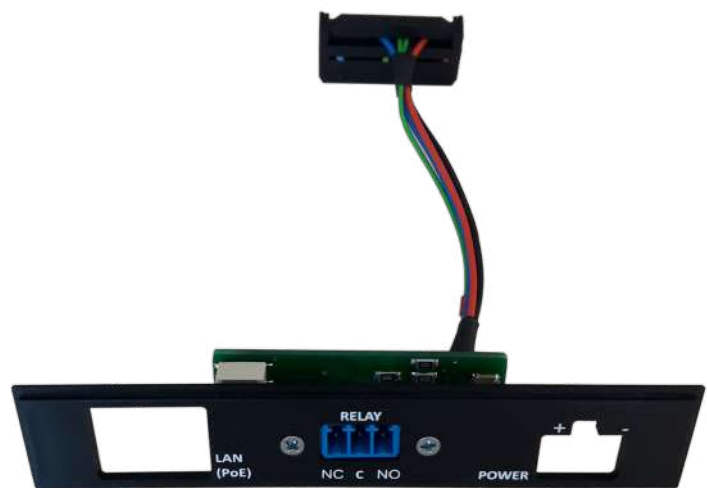
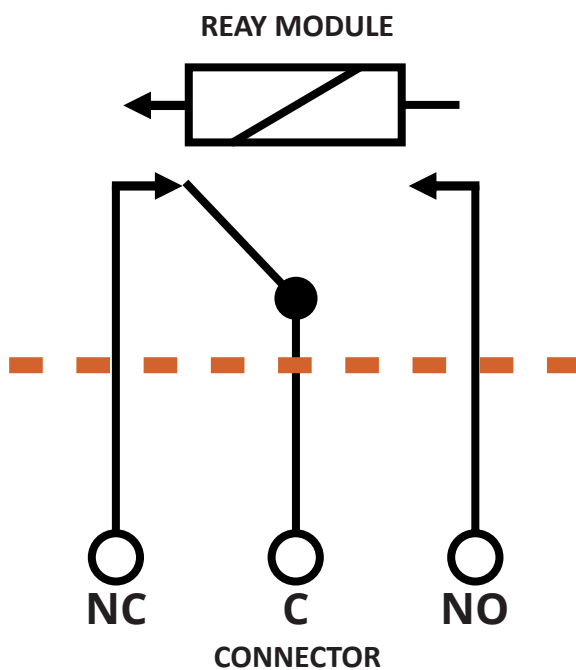
Max. 2A/30 VDC or 0,3A/125 VAC

### Contacts:

Normally Open (NO) and Normally Closed (NC)

### Connections:

Connect the wires to NO and C or NC and C



ZONITH RELAY MODULE



3-PIN CONNECTOR



ZONITH RELAY MODULE INSIDE BTR-01B